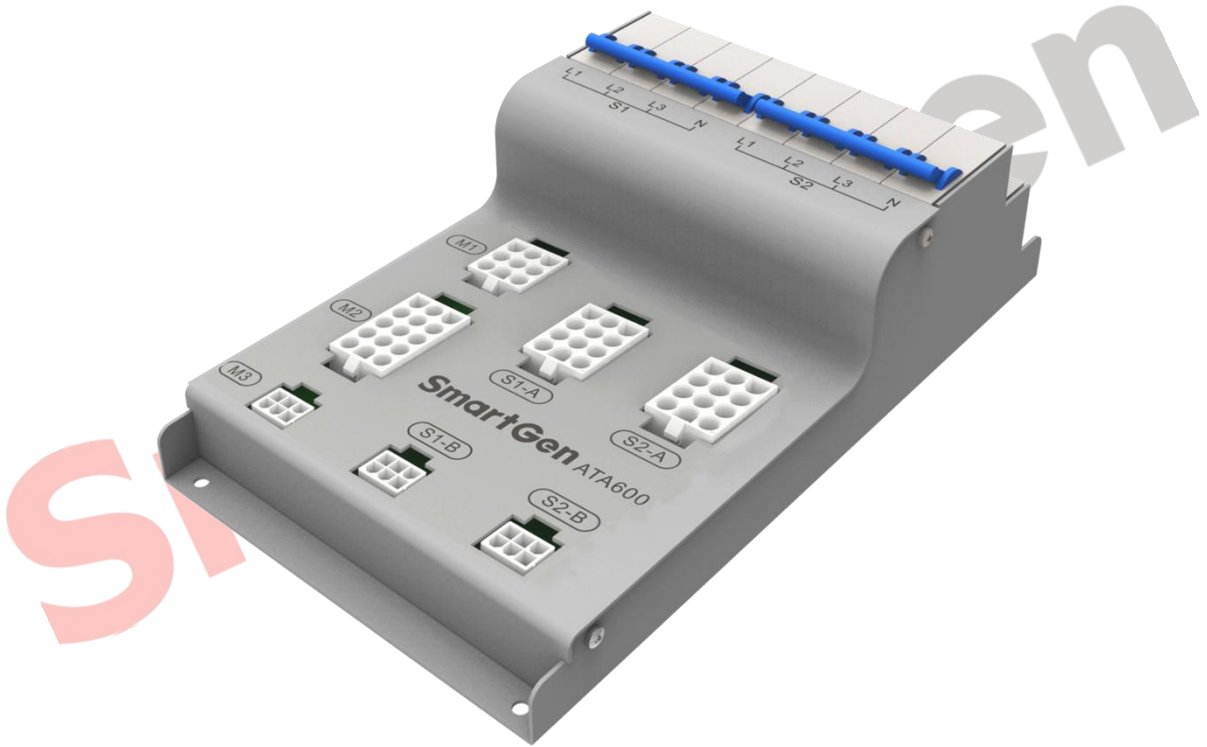




SmartGen
ideas for power

ATA600
DUAL POWER SWITCH ADAPTOR
USER MANUAL



SMARTGEN (ZHENGZHOU) TECHNOLOGY CO., LTD.



Chinese trademark

SmartGen English trademark

SmartGen — make your generator *smart*

SmartGen Technology Co., Ltd.

No.28 Jinsuo Road

Zhengzhou City

Henan Province

P. R. China

Tel: 0086-(0)371-67988888/67981888

0086-(0)371-67991553/67992951

0086-(0)371-67981000(overseas)

Fax: 0086-(0)371-67992952

Web: www.smartgen.com.cn

www.smartgen.cn

Email: sales@smartgen.cn

All rights reserved. No part of this publication may be reproduced in any material form (including photocopying or storing in any medium by electronic means or other) without the written permission of the copyright holder.

Applications for the copyright holder's written permission to reproduce any part of this publication should be addressed to SmartGen Technology at the address above.

Any reference to trademarked product names used within this publication is owned by their respective companies.

SmartGen Technology reserves the right to change the contents of this document without prior notice.

Table 1 Software Version

Date	Version	Note
2019-12-30	1.0	Original Release

CONTENT

1	OVERVIEW	4
2	PERFORMANCE AND CHARACTERISTICS	4
3	SPECIFICATION.....	4
4	PANEL DESCRIPTION.....	5
5	APPLICATION DIAGRAM.....	8
6	ACCESSORY ILLUSTRATION.....	9
7	CASE DIMENSIONS	9

SmartGen

1 OVERVIEW

ATA600 Dual Power Switch Adapter is a kind of adapter which makes convenience for connection between HAT600/HAT600N/HAT600P/HAT700 dual power ATS controller and smart breaker, reducing a lot of field wiring work for users, not only labor saving, time saving but also reliable.

2 PERFORMANCE AND CHARACTERISTICS

- Suitable for 3Ph 4W AC system;
- Two integrated 400V/50Hz/10A circuits of air breaker, which are individually used to connect two circuits of AC power;
- All-in-one integrated adaptor, which can simultaneously connect S1 breaker, and S2 breaker;
- Suitable for HAT600/HAT600N/HAT600P/HAT700 dual power ATS controller;
- Cold rolled plate closure;
- With screw installation method, adaptor is fixed by 4 screws.

3 SPECIFICATION

Table 2 Performance Parameters

Item	Description
Rated Working Voltage	AC 400V 50/60Hz
Max Working Current	10A
Air Breaker	400V~ 50Hz 10A
Case Dimensions	144.4mmx252mmx75.3mm
Working Conditions	Temperature: (-25~+70)°C Humidity: (20~93)%RH
Storage Condition	Temperature: (-30~+80)°C
Insulation Strength	Apply AC1.5kV voltage between high voltage terminal and low voltage terminal and the leakage current is not more than 3mA within 1min.
Weight	1.6kg

4 PANEL DESCRIPTION

4.1 PANEL ILLUSTRATION

Panel illustration is as Fig. 1.

Two circuits of air breaker, connect separately with S1/S2 AC power.

Connector M1, M2, M3 need to connect to the side of HAT600/HAT600N/HAT600P/HAT700 controller.

Connector S1-A, S1-B need to connect to the side of S1 breaker.

Connector S2-A, S2-B need to connect to the side of S2 breaker.

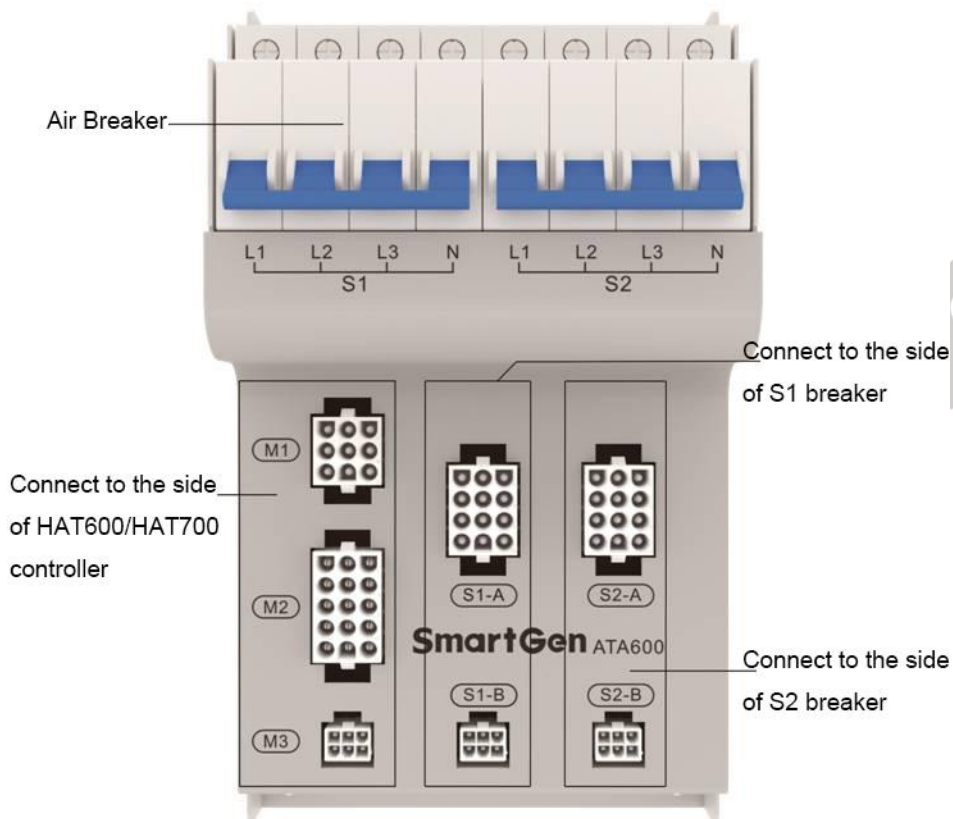


Fig. 1 Panel Instruction

4.2 CONNECTOR ILLUSTRATION

The pin numbers of connector terminals are as Fig. 2.

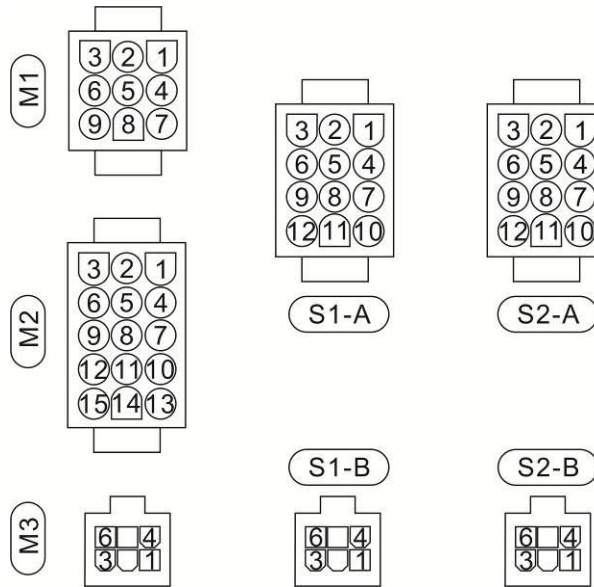


Fig. 2 Pin Numbers of Connector Terminals

Terminal Wirings of connector is as Table 3.

Table 3 Connector Wiring Illustration

Connector No.	Pin No.	Wire No.	Wire Harness No.	Connector No.	Pin No.	Wire No.	Wire Harness No.	
M1	1	M-15	WH600-M-20-RM	S1-A	1	Q1-28	WH600-Q1-30-RM	
	2	M-14			2	Q1-2		
	3	M-13			3	Q1-27		
	4	M-16			4	Q1-33		
	5	NC			5	Q1-30		
	6	M-12			6	Q1-36		
	7	M-17			7	Q1-24		
	8	M-18			8	Q1-35		
	9	M-11			9	Q1-29		
M2	1	M-4			S1-B	10		Q1-32
	2	M-28				11		Q1-1
	3	M-5	12			Q1-25		
	4	M-8	1	NC				
	5	M-1	2	Q1-4				
	6	M-9	3	Q1-23				
	7	M-6	4	NC				
	8	M-27	5	Q1-22				
	9	M-3	6	Q1-5				
	10	M-10						
	11	M-29						

Connector No.	Pin No.	Wire No.	Wire Harness No.	Connector No.	Pin No.	Wire No.	Wire Harness No.
	12	NC					
	13	M-7					
	14	M-2					
	15	M-30					
M3	1	M-21					
	2	M-22					
	3	NC					
	4	M-24					
	5	M-19					
	6	NC					

NOTE: Connector S2-A and S2-B connected wire number starts with Q2; Others are the same with S1-A, S1-B, connected with WH600-Q2-30-RM. For example: P1 wire number of connector S2-A is Q2-28.

Wire number definition:

Q1-1 e.g. Q1-1 means wire needs to connect to Terminal 1 of S1 breaker.



means wire needs to connect to corresponding terminal number of smart breaker;

means the position where wire needs to connect;

M means HAT600/HAT600N/HAT600P/HAT700 Controller;

Q1 means S1 breaker;

Q2 means S2 breaker;

Q3 means bus tie breaker.

Wire harness definition:



means acronym of the smart breaker factory;

means wire harness length, unit: m. e.g. 30 means 3.0m;

means the position where wire needs to connect; definition same as wire No.

5 APPLICATION DIAGRAM

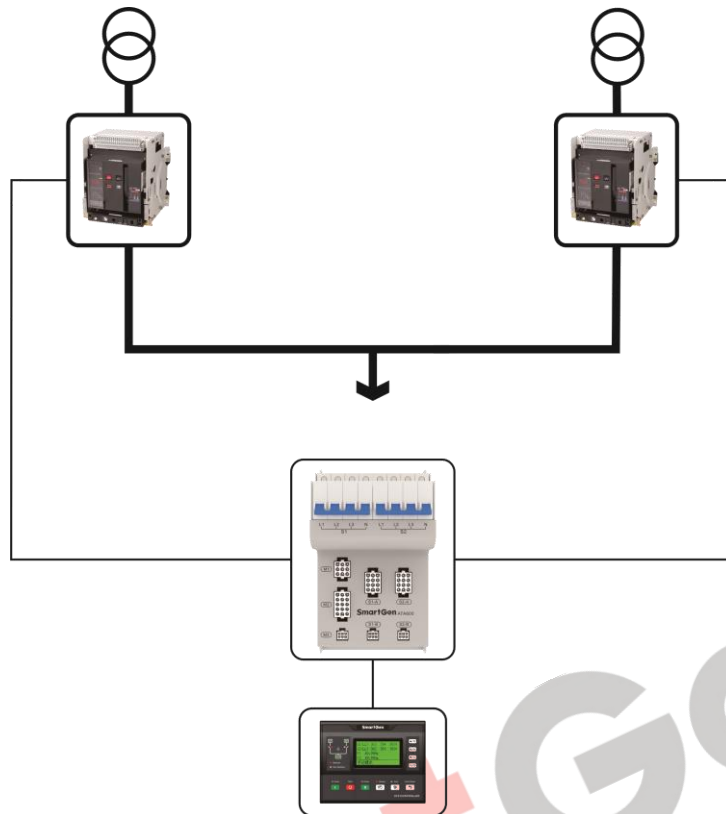


Fig. 3 Application Diagram

6 ACCESSORY ILLUSTRATION

The connected wire harness of this product is optional; Users can make clarification at ordering, note the harness requirements and breaker type.

7 CASE DIMENSIONS

This adaptor is designed by screw installation method, and is fixed by four screws at installation.

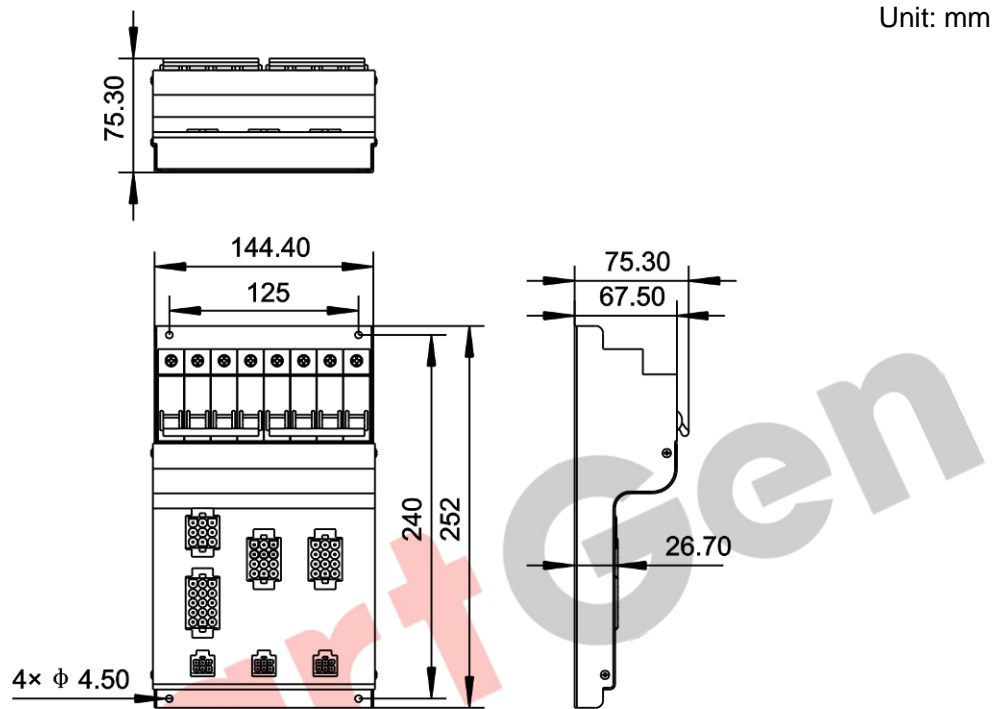


Fig. 4 Case Dimensions and Panel Cutout